



Metallic

Gates | Fencing | Canopy | Electrics



P : 0800 000 009

E : online@getagate.co.nz

W : www.metallic.co.nz



Product catalogue



From mind to design, boundary gates redefined

Metallic Getagate offers the best value for your gates, fencing, canopy and automation solutions. We have ready made gates that includes wide ranges of size, available to dispatch at your convenience. Working with your local installer or technical support team, our Slide, Swing and Pedestrian gates or fences can be made to order to suit your entrances.

Our brand story

Our New Zealanders were charged way too much for any gates actually. Gates in Australia are not that expensive by comparison. At Metallic, our mission is to provide innovative and high-quality metal products, including gates, fences, hinges, and other automation products. We are dedicated to making access solutions accessible in a redefined supply chain to all whilst upholding the highest standards of craftsmanship.

We use Merlin, Panasonic, Centurion and BFT. We are partner supplier for Roger, FAAC, Beninca, Genius, Came, Somer, Tau and V2 products. We strive to get the best products from all over the world to New Zealand.

Our brand values are deeply rooted in quality, reliability, and sustainability. We take pride in offering products that not only meet but exceed our customers' expectations.

Our journey has been marked by continuous growth and innovation. Metallic is our upgraded brand re-birthed from GETAGATE, as we are supplying more products, such as fences and pergolas for our valued customers. From humble beginnings to becoming a leading name in the industry, we've remained committed to deliver excellence.



Behind our products

We believe in transparency. Our products are manufactured with precision and care, utilizing cutting-edge technology and the finest materials to ensure durability and innovation.

We are helping more trained and qualified technicians in your local area for the installation, free annual services and any after-sale services.

Visit us at

Unit C1, 10 Garlands Road, Woolston, Christchurch

Customer reviews

★★★★★

Extremely professional and helpful. Amazing service. Stock all the attachments too which made install real easy. Great advice too.

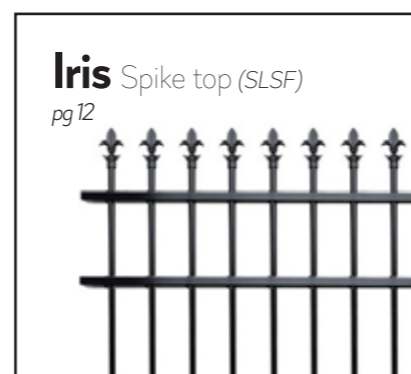
- Andrew Woods

★★★★★

Really helpful staff, and delivered our gate within a week. Great communication and helpful with advising on local installers. Thanks 🙌

- Heather Remnant

Gate Style Guide



* All gate style can be apply and customise to sliding gate, swing gate or pedestrian gate.

Diagonal



The Diagonal design is in our latest collection. The defining feature of this gate is the striking diagonal pattern. Its sleek and timeless design makes it a top pick for our customers. Gates can be custom made to suit swing, sliding or pedestrian gate installations.

Specifications

Material: Aluminum
 Frame: 80mm x 50mm x 2.4mm
 Rail: 80mm x 50mm x 2.4mm
 Bottom Rail: 80mm x 50mm x 3.0mm
 Color/Finish: Powder Coated Mannex Black

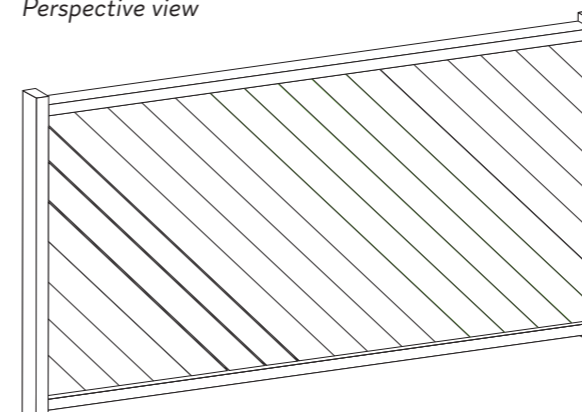
Size available

Height	Width
1450mm	2800mm, 3100mm, 3400mm, 3700mm, 4000mm, 4300mm, 4600mm, 4900mm, 5200mm, 5500mm, 5800mm, 6100mm
1700mm	2800mm, 3100mm, 3400mm, 3700mm, 4000mm, 4300mm, 4600mm, 4900mm, 5200mm, 5500mm, 5800mm, 6100mm

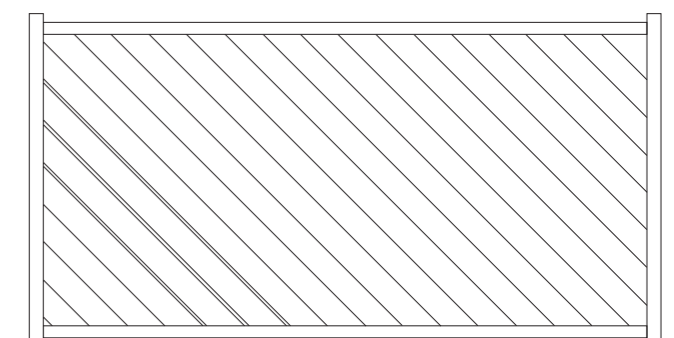
Options

- Swing gate
- Sliding gate
- Pedestrian gate

Perspective view



Front view





Poppy Flat top



The Poppy flat top design is a tubular aluminum structure, made from high-quality aluminum, are designed to withstand the harshest of environments whilst meeting the most discerning architectural tastes.

Specifications

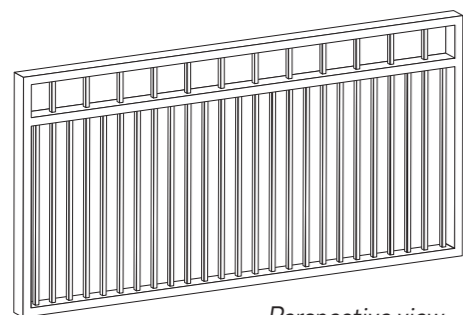
- Material: Aluminum
- Frame: 50mm x 50mm x 2.4mm
- Rail: 50mm x 50mm x 2.4mm
- Bottom Rail: 75mm x 50mm x 3.0mm
- SQUARE Picket: 19mm x 19mm x 1.2mm
- Space between pickets: 94mm
- Color/Finish: Powder Coated Mannex Black

Options

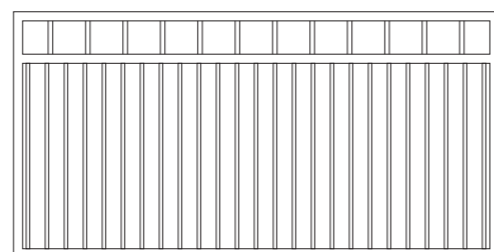
- Swing gate
- Sliding gate
- Pedestrian gate

Size available

Height	Width
1150mm	2900mm, 3100mm, 3300mm, 3500mm, 3700mm, 3900mm, 4100mm, 4300mm, 4500mm, 4700mm, 4900mm, 5100mm and more
1450mm	2900mm, 3100mm, 3300mm, 3500mm, 3700mm, 3900mm, 4100mm, 4300mm, 4500mm, 4700mm, 4900mm, 5100mm, 5300mm, 5500mm and more
1700mm	2900mm, 3100mm, 3300mm, 3500mm, 3700mm, 3900mm, 4100mm, 4300mm, 4500mm, 4700mm, 4900mm, 5100mm, 5300mm, 5500mm and more



Perspective view



Front view



Daisy Half solid



The Daisy half solid is the best choice for people who want privacy screening with modern design aesthetic. The design of half see through and half solid makes it versatile for both privacy and visibility.

Specifications

- Material: Aluminum
- Frame: 75mm x 50mm x 3.0mm
- Middle Rail: 75mm x 50mm x 3.0mm
- Bottom Rail: 75mm x 50mm x 3.0mm
- Vertical Panel: 75mm x 20mm x 2.0mm
- Space between panels on the top half: 75mm
- Solid part height: Half of the gate height
- Color/Finish: Powder Coated Mannex Black

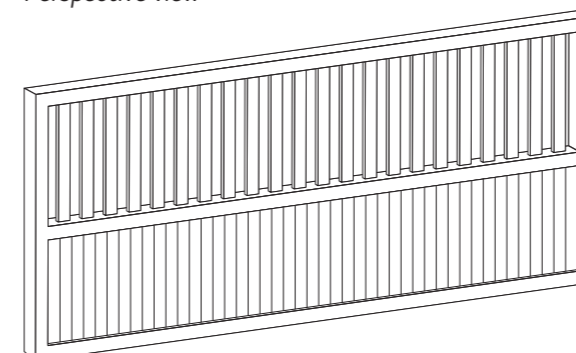
Options

- Swing gate
- Sliding gate
- Pedestrian gate

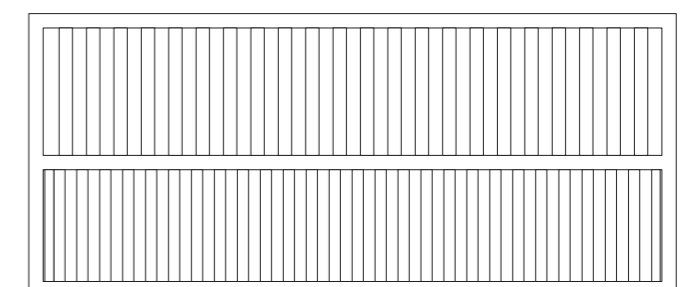
Size available

Height	Width
1150mm	3075mm, 3375mm, 3675mm, 3975mm, 4275mm, 4575mm, 4875mm, 5175mm, 5475mm
1450mm	3375mm, 3675mm, 3975mm, 4275mm, 4575mm, 4875mm, 5175mm, 5475mm
1700mm	3075mm, 3375mm, 3675mm, 3975mm, 4275mm, 4575mm, 4875mm, 5175mm, 5475mm

Perspective view



Front view



Carnation Full solid



Fully covered solid gate that ensure maximum privacy. Strong, durable and lasting whilst meeting the simplistic modern design aesthetic.

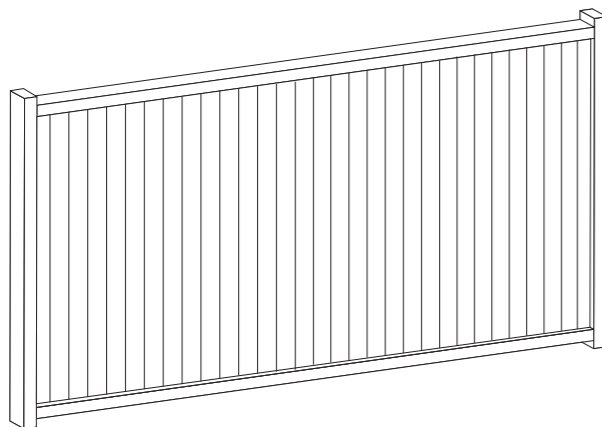
Specifications

Material: Aluminum
 Frame: 75mm x 50mm x 3.0mm
 Bottom Rail: 75mm x 50mm x 3.0mm
 Vertical Panel: 75mm x 20mm x 2.0mm
 Color/Finish: Powder Coated Mannex
 Black/White
 Net Weight: 83.68kgs

Options

- Swing gate
- Sliding gate
- Pedestrian gate

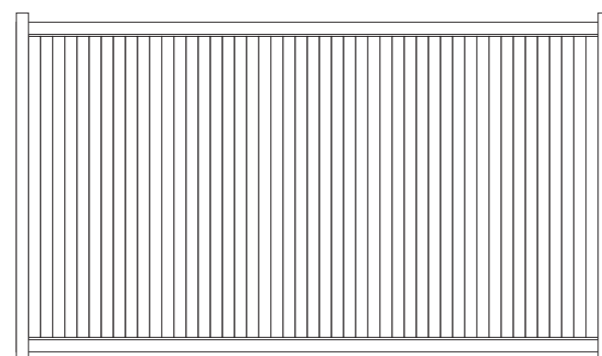
Perspective view



Size available

Height	Width
1450mm	2900mm, 3100mm, 3300mm, 3500mm, 3700mm, 3900mm, 4100mm, 4300mm, 4500mm, 4700mm, 4900mm, 5100mm, 5300mm, 5500mm and more
1700mm	2900mm, 3100mm, 3300mm, 3500mm, 3700mm, 3900mm, 4100mm, 4300mm, 4500mm, 4700mm, 4900mm, 5100mm, 5300mm, 5500mm and more

Front view



Louvre



The Louvre modern frame-less louvre blade panel that looks fantastic between block columns or between posts. It can also be used as infill on gates with negative details

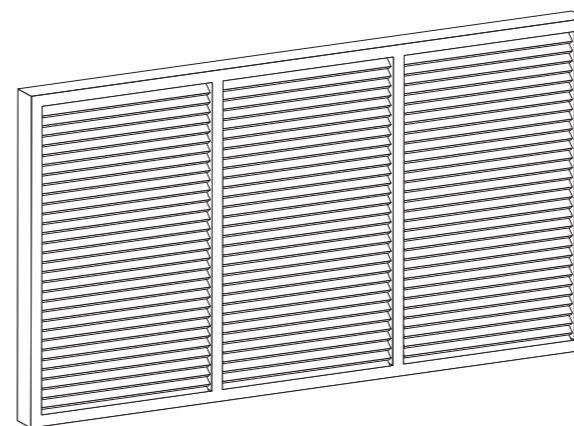
Specifications

Material: Aluminum
 Frame: 80mm x 50mm x 2.4mm
 Rail: 80mm x 50mm x 2.4mm
 Bottom Rail: 80mm x 50mm x 3.0mm
 Color/Finish: Powder Coated Mannex Black

Options

- Swing gate
- Sliding gate
- Pedestrian gate

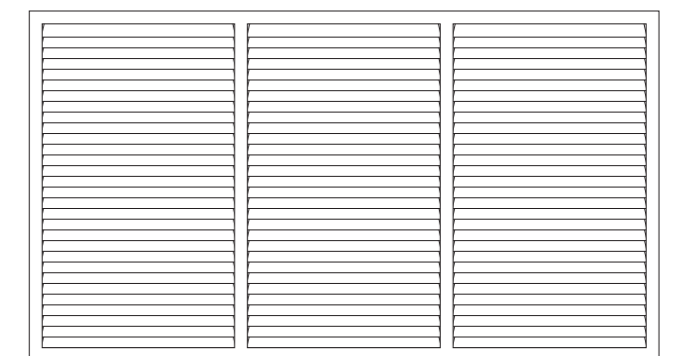
Perspective view



Size available

Height	Width
1450mm	2800mm, 3100mm, 3400mm, 3700mm, 4000mm, 4300mm, 4600mm, 4900mm, 5200mm, 5500mm, 5800mm, 6100mm
1700mm	2800mm, 3100mm, 3400mm, 3700mm, 4000mm, 4300mm, 4600mm, 4900mm, 5200mm, 5500mm, 5800mm, 6100mm

Front view



Ivy Window top solid



Choosing between privacy or visibility? Window top solid design accommodate both which offers versatility for different situation. Strong, durable and lasting whilst meeting the simplistic modern design aesthetic.

Specifications

Material: Aluminum
 Frame: 75mm x 50mm x 3.0mm
 Middle Rail: 75mm x 50mm x 3.0mm
 Bottom Rail: 75mm x 50mm x 3.0mm
 Vertical Panel: 75mm x 20mm x 2.0mm
 Top Vertical Bar: 25mm x 25mm x 1.5mm
 Color/Finish: Powder Coated Mannex Black/White

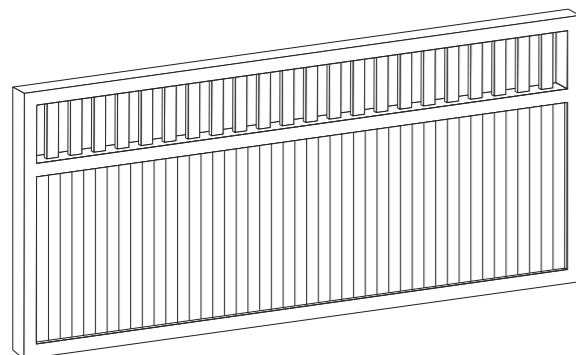
Options

- Swing gate
- Sliding gate
- Pedestrian gate

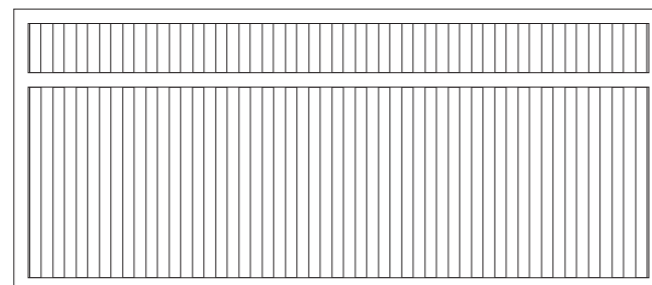
Size available

Height	Width
1450mm	2850mm, 3150mm, 3450mm, 3750mm, 4050mm, 4350mm, 4650mm, 4950mm, 5250mm, 5550mm
1700mm	2850mm, 3150mm, 3450mm, 3750mm, 4050mm, 4350mm, 4650mm, 4950mm, 5250mm, 5550mm

Perspective view



Front view



Slat or Screen



The Slat or screen has an elegant spaced aluminum slat design that compliments any home. Gates can be custom made to suit swing, sliding, pedestrian or fence installations.

Specifications

Material: Aluminum
 Frame: 100mm x 50mm
 Gap between slats: 15mm
 Color/Finish: Powder Coated Mannex Black
 Net Weight: 79.88kgs

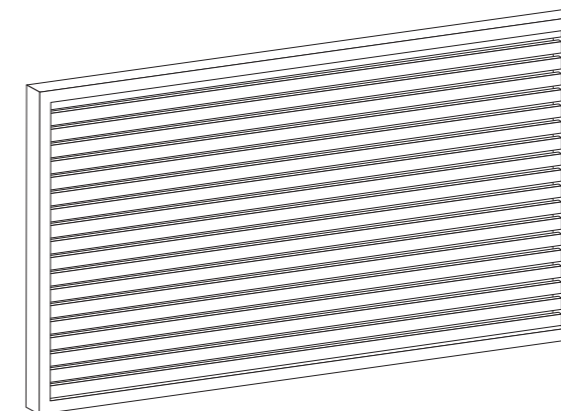
Options

- Swing gate
- Sliding gate
- Pedestrian gate

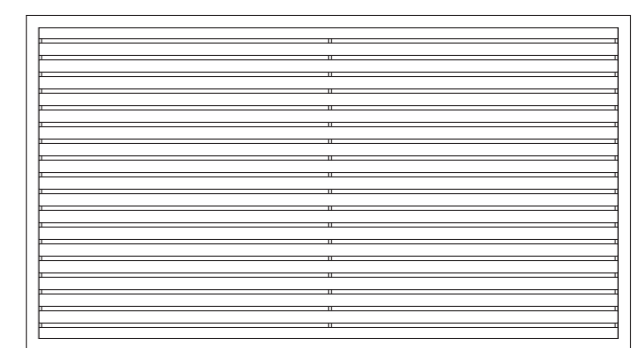
Size available

Height	Width
1450mm	3100mm, 3400mm, 3700mm, 4000mm, 4300mm, 4600mm, 4900mm, 5200mm, 5500mm, 5800mm, 6100mm
1700mm	3100mm, 3400mm, 3700mm, 4000mm, 4300mm, 4600mm, 4900mm, 5200mm, 5500mm, 5800mm, 6100mm

Perspective view



Front view



Security gate



Security gate meets your security requirements, reflecting the demand for secure perimeters in commercial and residential environments. Gates can be custom made to suit swing, sliding or fence installations.

Specifications

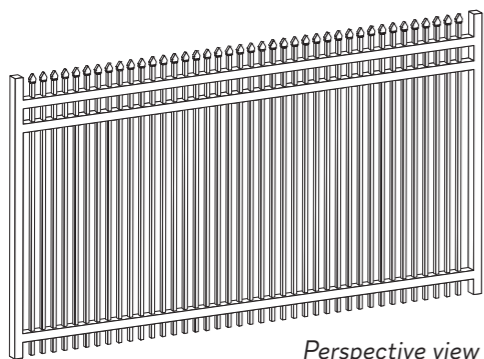
- Materials: Aluminum
- Rails: 40mm x 40mm x 2.0mm
- Square uprights with pressed head: 25mm x 25mm x 1.5mm
- Gap size between uprights: 110mm
- Rake up to 22.5 degrees
- Fitting brackets & screws included
- Powder coated mannex black color
- 76mm x 76mm x 4.0mm x 2.5m high aluminum post can be supplied at \$105 ea

Options

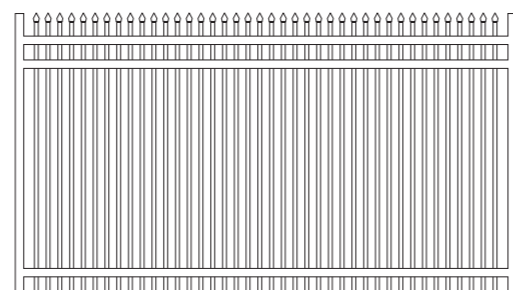
- Swing gate
- Sliding gate
- Pedestrian gate

Size available

Height	Width
1150mm	2900mm, 3100mm, 3300mm, 3500mm, 3700mm, 3900mm, 4100mm, 4300mm, 4500mm, 4700mm, 4900mm, 5100mm and more
1450mm	2900mm, 3100mm, 3300mm, 3500mm, 3700mm, 3900mm, 4100mm, 4300mm, 4500mm, 4700mm, 4900mm, 5100mm, 5300mm, 5500mm and more
1700mm	2900mm, 3100mm, 3300mm, 3500mm, 3700mm, 3900mm, 4100mm, 4300mm, 4500mm, 4700mm, 4900mm, 5100mm, 5300mm, 5500mm and more



Perspective view



Front view

Iris Spike top



The Iris style have vintage design of the spear top, suitable for residential with a touch of heritage look. The aluminum body makes it lasting and durable in any situation and long lasting.

Specifications

- Material: Aluminum
- Rails: 25mm x 38mm x 1.5mm
- Round Picket: 19mm x 1.2mm
- Space between pickets: 94mm
- Color/Finish: Powder Coated Mannex Black

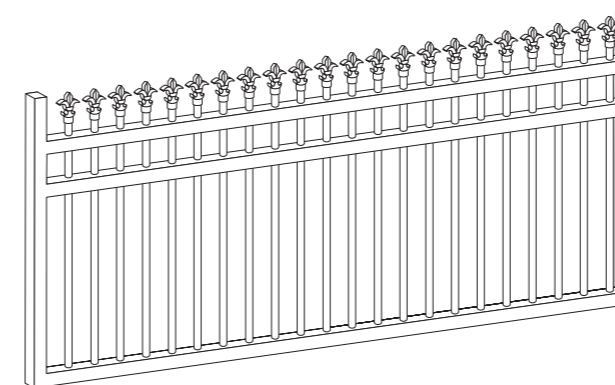
Options

- Swing gate
- Sliding gate
- Pedestrian gate

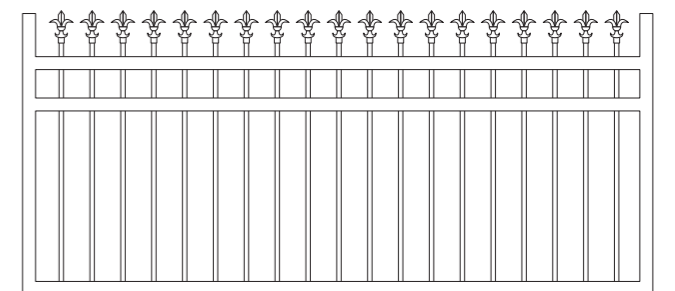
Size available

Height	Width
1450mm	3100mm, 3400mm, 3700mm, 4000mm, 4300mm, 4600mm, 4900mm, 5200mm, 5500mm, 5800mm, 6100mm
1700mm	3100mm, 3400mm, 3700mm, 4000mm, 4300mm, 4600mm, 4900mm, 5200mm, 5500mm, 5800mm, 6100mm

Perspective view

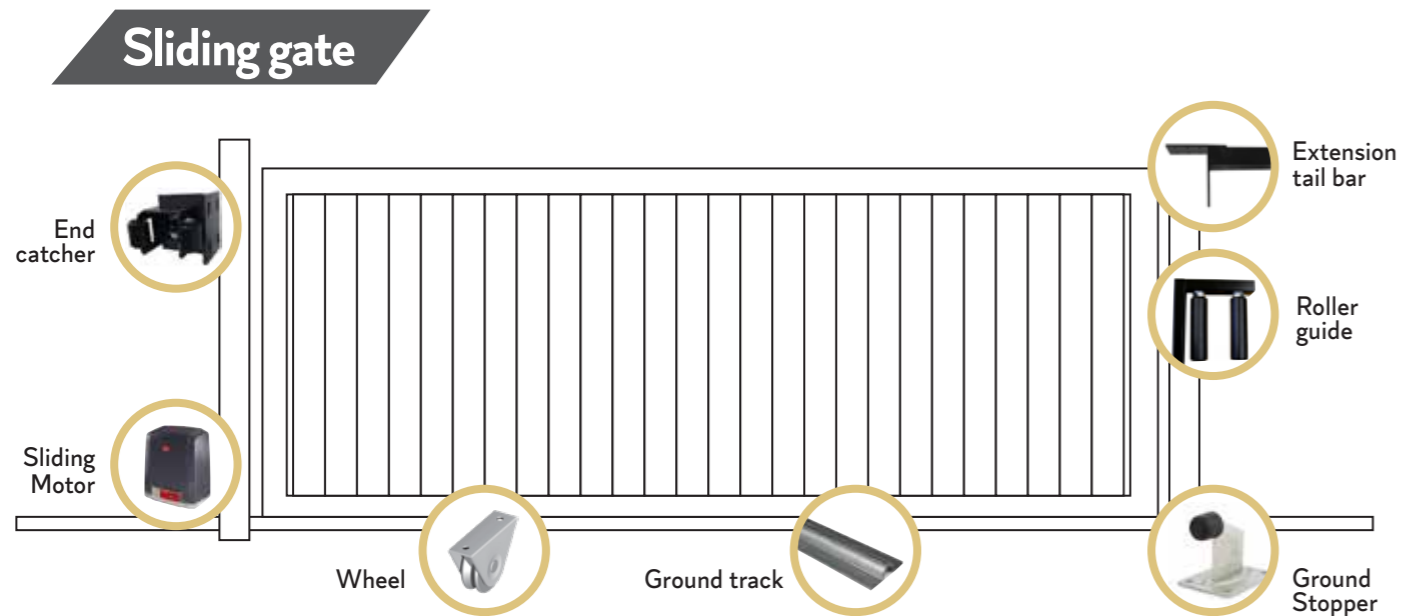


Front view





Gate Hardware



BFT and Centaurion automation motors are used on our sliding gates. We also provide affordable options to suit your needs. Some hardware parts can be sold separately, please reach out to our friendly team for more information.



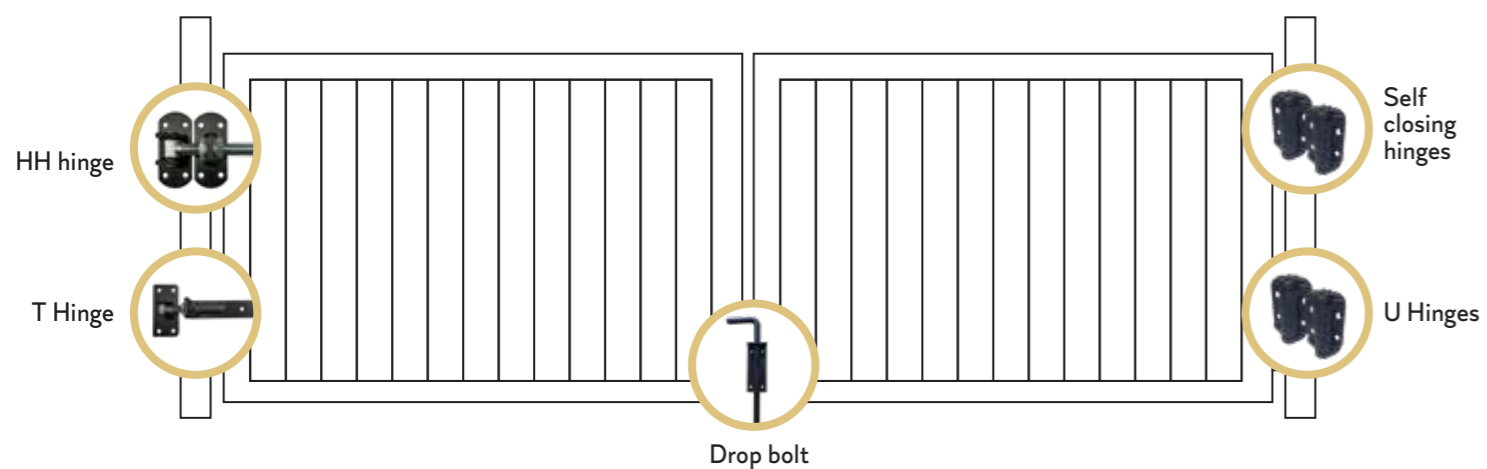
Sliding Gate Accessories

<p>BFT motor</p> 	<p>Centurion D2 Turbo Motor</p> 	<p>Merlin Slide 600 Motor</p> 
<p>In Ground Aluminum Post</p> <ul style="list-style-type: none"> • 50mm x 50mm x 1900mm • 100mm x 100mm x 1900mm • 50mm x 50mm x 2500mm • 100mm x 100mm x 2500mm 	<p>U Track</p> 	<p>Extension tail bar</p> <ul style="list-style-type: none"> • 50x50mm • 75x50mm 
<p>BFT/General Photocell Sensor for Automation</p> 	<p>Keypad</p> 	<p>BFT/General remote control</p> 



Gate Hardware

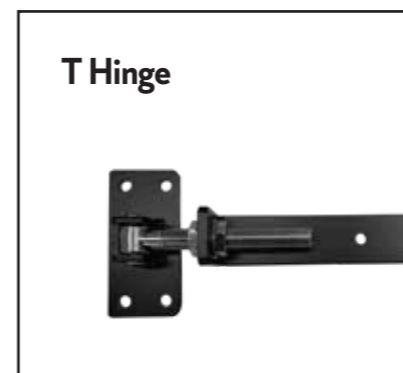
Swing gate



BFT automation motors are used on our swing gates. We also provide affordable options to suit your needs. Some hardware parts can be sold separately, please reach out to our friendly team for more information.



Swing Gate Accessories

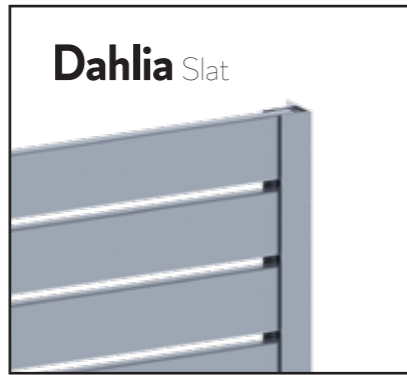




Fences Style Guide



Lily Louvre



Dahlia Slat



Peony Vertical



Lavender Blades



Hibiscus Flat top



Lilac



Orchid Security



Tulip

** All fence style can be apply and customise to any height, width or dimension as requested. Contact us for more information.*



Lily Louvre



The Louvre modern frame-less louvre blade panel that looks fantastic between block columns or between posts. It can also be used as infill on gates with negative details

Dahlia Slat



All our slat fences can use either horizontal or vertical slats We also customise the spacing between the slats. Slat fencing gates, including automatic sliding gates can be built in the same style to match your new fence. It is often used for privacy. This includes privacy from neighbors on decks and patios in your backyard.

Peony Vertical



A modern and stylish form of fencing that comes with clean lines and a sharp finish. This design can be customised into horizontal or vertical slats. We also customise the spacing between the slats. Vertical fencing gates, including automatic sliding gates can be built in the same style to match your new fence.

Lavender Blades



Blades fencing provides a dimensional look to both gates and fences, but also creates privacy and security. Not only are they strong and durable, they offer a sleek and stylish finish to your property, making them a popular architectural fencing solution.

Hibiscus Flat top



The Hibiscus is a tubular aluminum fencing that reflect the demand for secure perimeters in commercial and residential environments.

Lilac



The Lilac design is thinner in diameter compare to The Hibicus design, suitable for outdoor residential or commercial fencing needs.

